

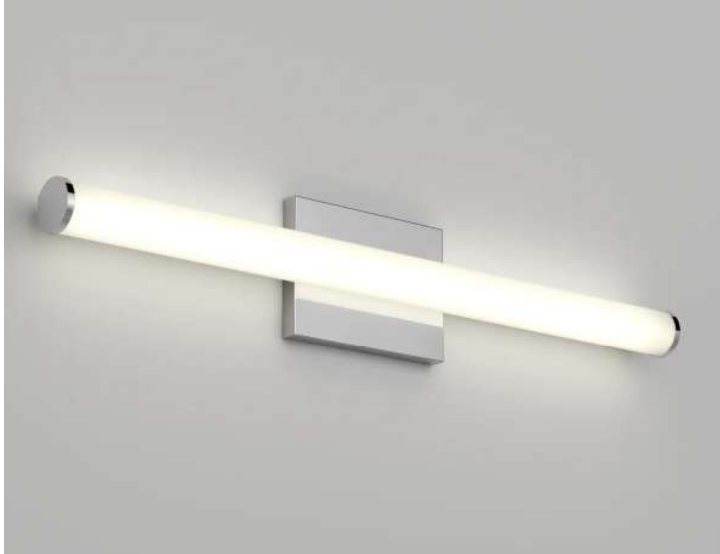
Product Code **24VAN-NU5C-CHJ**  
 Description **Nuvo 24" Vanity - 5CCT - Chrome**

Project \_\_\_\_\_ Type \_\_\_\_\_

**Product Features**



**Product Image**

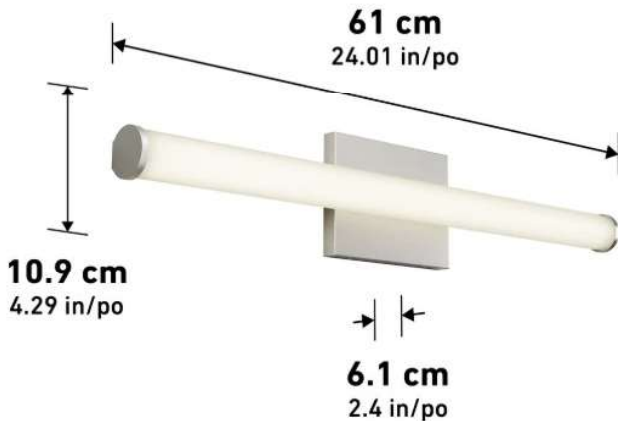


- Sleek cylindrical design
- 2100 Lumens
- 5CCT - Switch on outside of canopy
- Can be used as Vanity or Sconce

**Product Specifications**

Lumen Output	<b>2100</b>	Integrated LED	<input checked="" type="checkbox"/>
Lifetime (hours)	<b>50,000</b>		
CCT	<b>2700K - 3000K - 3500K - 4000K - 5000K</b>		
Wattage	<b>24</b>	Voltage	<b>120</b>
CRI	<b>90</b>		
Dimensions (inches)	<b>L 24</b>	<b>W 2.4</b>	<b>H 4.3</b> <b>D</b>
Weight (lbs)	<b>1.57</b>		
Indoor/Outdoor	<b>Indoor</b>		
Frame Material	<b>Metal</b>		
Lens Material	<b>Plastic</b>		
Dimming Type	<b>ELV/Triac</b>	Dim %	<b>100-10%</b>
Product Type	<b>Vanity Light</b>		
Product Finish	<b>Chrome</b>		
Additional Features			

**Technical Drawing**



**Certifications**

<input checked="" type="checkbox"/>	<b>artika pro</b>	<input checked="" type="checkbox"/>	<b>artika</b>	<input type="checkbox"/>
Damp Rated <input checked="" type="checkbox"/>	ETL Certified <input checked="" type="checkbox"/>	JAS Certified <input checked="" type="checkbox"/>	Dimmable <input checked="" type="checkbox"/>	
Wet Rated <input type="checkbox"/>	Dark Sky <input type="checkbox"/>	Selectable CCT <input checked="" type="checkbox"/>	0-10v Dim <input type="checkbox"/>	
Hardwire <input checked="" type="checkbox"/>	Plug-In <input type="checkbox"/>	Ceiling Mount <input type="checkbox"/>	Wall Mount <input checked="" type="checkbox"/>	

**Notes**

\_\_\_\_\_



STAMP

Artika reserves the right to modify its products from time to time as part of our continuous improvement program.

Service & products for professionals.  
 Service & produits pour professionnels.  
 Servicio & productos para profesionales.

**+1-866-661-9606 opt. 2**  
 pro@artika.com  
 www.artika.com/pro



1756 50<sup>th</sup> ave, Lachine, QC H8T 2V5, Canada