

Product Code	24VAN-NU5C-BNJ	Project		Type	
Description	Nuvo 24" Vanity - 5CCT - Brushed Nickel	Product Features			



Product Image

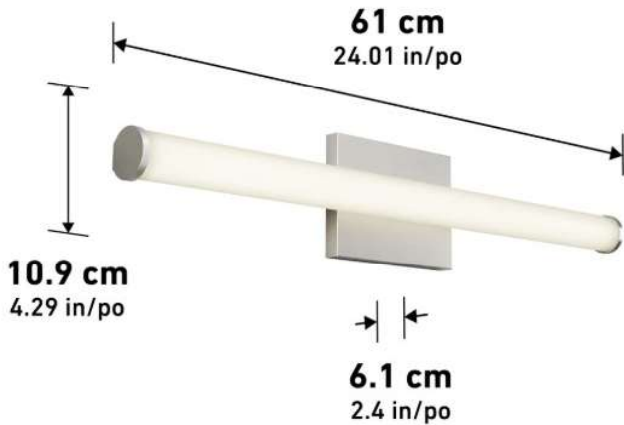


- Sleek cylindrical design
- 2100 Lumens
- 5CCT - Switch on outside of canopy
- Can be used as Vanity or Sconce

Product Specifications

Lumen Output	2100	Integrated LED	<input checked="" type="checkbox"/>
Lifetime (hours)	50,000		
CCT	2700K - 3000K - 3500K - 4000K - 5000K		
Wattage	24	Voltage	120
CRI	90		
Dimensions (inches)	L 24	W 2.4	H 4.3 D
Weight (lbs)	1.57		
Indoor/Outdoor	Indoor		
Frame Material	Metal		
Lens Material	Plastic		
Dimming Type	ELV/Triac	Dim %	100-10%
Product Type	Vanity Light		
Product Finish	Brushed Nickel		
Additional Features			

Technical Drawing



Certifications

<input checked="" type="checkbox"/>	artika pro	<input checked="" type="checkbox"/>	artika	<input type="checkbox"/>
Damp Rated <input checked="" type="checkbox"/>	ETL Certified <input checked="" type="checkbox"/>	JAS Certified <input checked="" type="checkbox"/>	Dimmable <input checked="" type="checkbox"/>	
Wet Rated <input type="checkbox"/>	Dark Sky <input type="checkbox"/>	Selectable CCT <input checked="" type="checkbox"/>	0-10v Dim <input type="checkbox"/>	
Hardwire <input checked="" type="checkbox"/>	Plug-In <input type="checkbox"/>	Ceiling Mount <input type="checkbox"/>	Wall Mount <input checked="" type="checkbox"/>	

Notes



STAMP

Artika reserves the right to modify its products from time to time as part of our continuous improvement program.

Service & products for professionals.
 Service & produits pour professionnels.
 Servicio & productos para profesionales.

+1-866-661-9606 opt. 2
 pro@artika.com
 www.artika.com/pro



1756 50th ave, Lachine, QC H8T 2V5, Canada