

Product Code **24VAN-NU5C-BLJ**

Project

Type

Description **Nuvo 24" Vanity - 5CCT - Black**

**Product Features**



**Product Image**

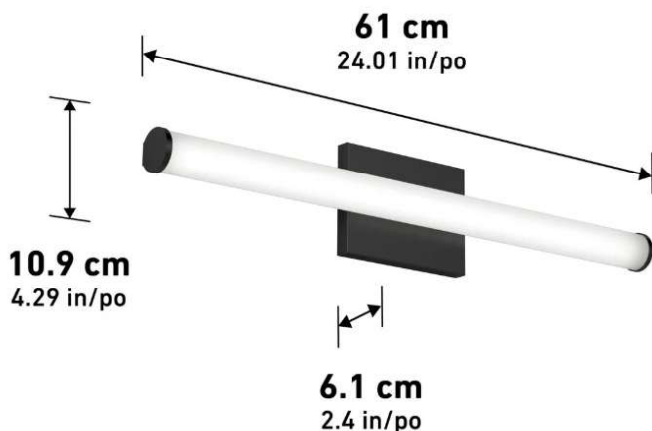


- Sleek cylindrical design
- 2100 Lumens
- 5CCT - Switch on outside of canopy
- Can be used as Vanity or Sconce

**Product Specifications**

|                     |  |                |                                     |
|---------------------|--|----------------|-------------------------------------|
| Lumen Output        | <b>2100</b>                                  | Integrated LED | <input checked="" type="checkbox"/> |
| Lifetime (hours)    | <b>50,000</b>                                |                |                                     |
| CCT                 | <b>2700K - 3000K - 3500K - 4000K - 5000K</b> |                |                                     |
| Wattage             | <b>24</b>                                    | Voltage        | <b>120</b>                          |
| CRI                 | <b>90</b>                                    |                |                                     |
| Dimensions (inches) | <b>L 24</b>                                  | <b>W 2.4</b>   | <b>H 4.3</b> <b>D</b>               |
| Weight (lbs)        | <b>1.57</b>                                  |                |                                     |
| Indoor/Outdoor      | <b>Indoor</b>                                |                |                                     |
| Frame Material      | <b>Metal</b>                                 |                |                                     |
| Lens Material       | <b>Plastic</b>                               |                |                                     |
| Dimming Type        | <b>ELV/Triac</b>                             | Dim %          | <b>100-10%</b>                      |
| Product Type        | <b>Vanity Light</b>                          |                |                                     |
| Product Finish      | <b>Matte Black</b>                           |                |                                     |
| Additional Features |  |                |                                     |

**Technical Drawing**



**Certifications**

|            |                                     |               |                                     |                |                                     |            |                                     |
|------------|-------------------------------------|---------------|-------------------------------------|----------------|-------------------------------------|------------|-------------------------------------|
| Damp Rated | <input checked="" type="checkbox"/> | ETL Certified | <input checked="" type="checkbox"/> | JAS Certified  | <input checked="" type="checkbox"/> | Dimmable   | <input checked="" type="checkbox"/> |
| Wet Rated  | <input type="checkbox"/>            | Dark Sky      | <input type="checkbox"/>            | Selectable CCT | <input checked="" type="checkbox"/> | 0-10v Dim  | <input type="checkbox"/>            |
| Hardwire   | <input checked="" type="checkbox"/> | Plug-In       | <input type="checkbox"/>            | Ceiling Mount  | <input type="checkbox"/>            | Wall Mount | <input checked="" type="checkbox"/> |

**Notes**

Notes area for additional product information.



STAMP

Artika reserves the right to modify its products from time to time as part of our continuous improvement program.

Service & products for professionals.  
Service & produits pour professionnels.  
Servicio & productos para profesionales.

+1-866-661-9606 opt. 2  
pro@artika.com  
www.artika.com/pro



1756 50<sup>th</sup> ave, Lachine, QC H8T 2V5, Canada